



DNH

HEAD OFFICE, NORWAY
DNH AS

Phone..... + 47 35 98 56 00
Fax..... + 47 35 98 56 10
E-mail..... dnh@dnh.no
Web-Site..... www.dnh.no

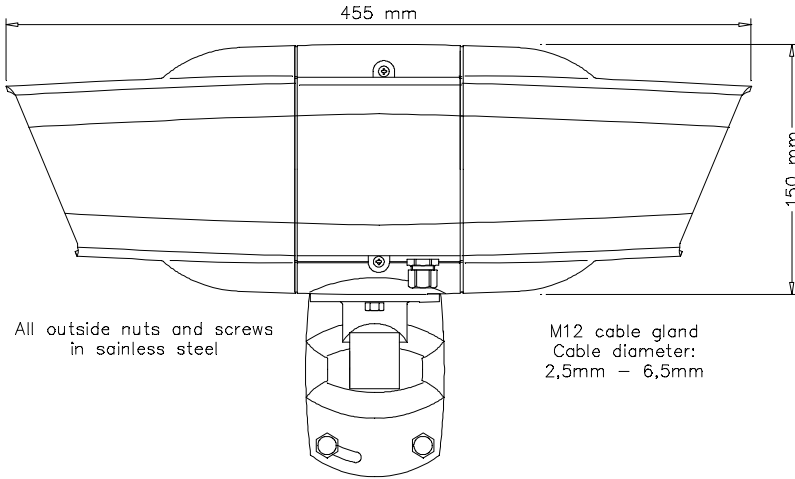
ENGLAND
DNH WW Ltd
Phone..... + 44 1908 275 000
Fax..... + 44 1908 275 100
E-mail..... dnh@dnh.co.uk

GERMANY
DNH GmbH
Phone... + 49 040 6569 30-0
Fax..... + 49 040 6569 30-30
E-mail..... dnh@dnh.de

USA
DNH Speakers Inc
Phone..... + 1 484 494 5790
Fax..... + 1 484 494 5793
E-mail.dnh@dnhspeakers.com

DPD-10(T)

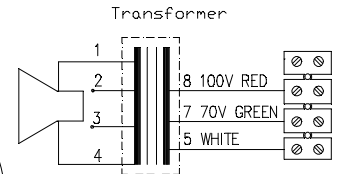
ISO 9001 CERTIFIED



All outside nuts and screws
in stainless steel

M12 cable gland
Cable diameter:
2,5mm – 6,5mm

CIRCUIT DIAGRAM



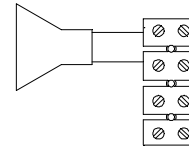
70/100 Volt combined transformer Primary connections

White : Green	70 V
White : Red	100 V

Secondary nominal tapings

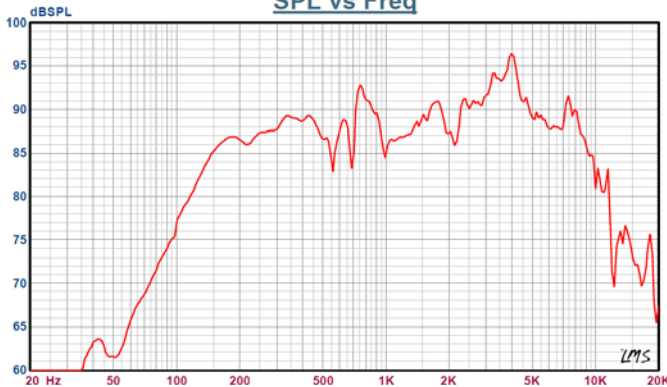
1 : 4	10,0 W
1 : 3	5,0 W
2 : 4	3,5 W
1 : 2	2,5 W
3 : 4	1,5 W
2 : 3	0,8 W

Low impedance



Sound pressure levels at 1W/1m w/P-5/15 PS counter phase

SPL vs Freq



Specifications

Material / Color	Ronfalin(5VA) / RAL7035
Mounting	Polyamide swivel bracket
Termination	Screw terminal
Weight w/transformer	3,3 Kg
IP-rating	55
Max. / min. amb. temp	90°C / -40°C
Rated / max. power	10 W / 15 W
SPL 1W/1m	89 dB
SPL rated power	98 dB
Effective freq. range	110 – 16000 Hz
Dispersion (-6dB) 1kHz / 4kHz	110° / 40° (Bi-directional)
Directivity factor, Q	
Options	Impedances, colors, labels

Installation, Operation and Maintenance Procedures

- Fasten the bracket to wall or ceiling with 2-4 screws. Install the loudspeaker on swivel bracket with the 2 enclosed bolts and washers. This unique bracket system allows multiple positioning options. Find the preferable position of the loudspeaker and secure the position with tightening the extra hexagonal screw on bracket.
- Remove the lid on the side of the loudspeaker, connect to terminal (70V or 100V) and select required tapping in to the transformer.
- Screw lid back on and be sure to tighten the cable gland.
- Connect to terminal (70V or 100V) and select required tapping in to the transformer.
- For optimum performance, always use the correct voltage / power and operate within the frequency limits as stated.
- Do not open loudspeaker when energized.
- This loudspeaker is supplied with a 2 year warranty against defective workmanship.

DNH reserves the right to alter specifications without notice

