



# DNH

HEAD OFFICE, NORWAY  
DNH AS

Phone..... + 47 35 98 56 00  
Fax..... + 47 35 98 56 10  
E-mail..... dnh@dnh.no  
Web-Site..... www.dnh.no

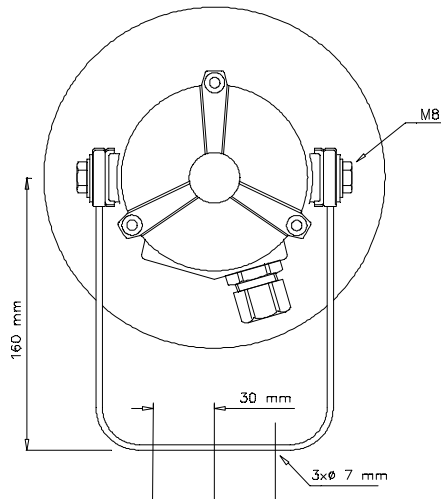
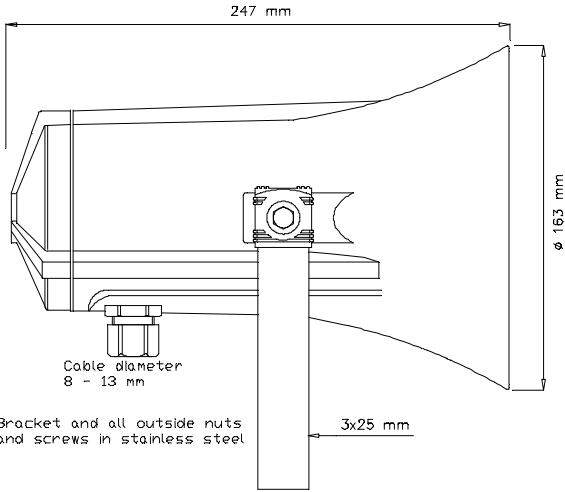
ENGLAND  
DNH WW Ltd  
Phone..... + 44 1908 275 000  
Fax..... + 44 1908 275 100  
E-mail..... dnh@dnh.co.uk

GERMANY  
DNH GmbH  
Phone... + 49 040 6569 30-0  
Fax..... + 49 040 6569 30-30  
E-mail..... dnh@dnh.de

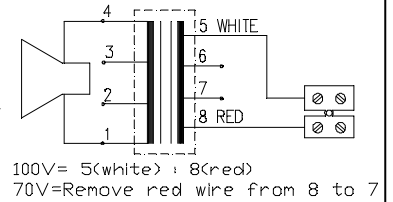
## HS-15S(T)

USA  
DNH Speakers Inc  
Phone..... + 1 484 494 5790  
Fax..... + 1 484 494 5793  
E-mail..... dnh@dnhspeakers.com

ISO 9001 CERTIFIED

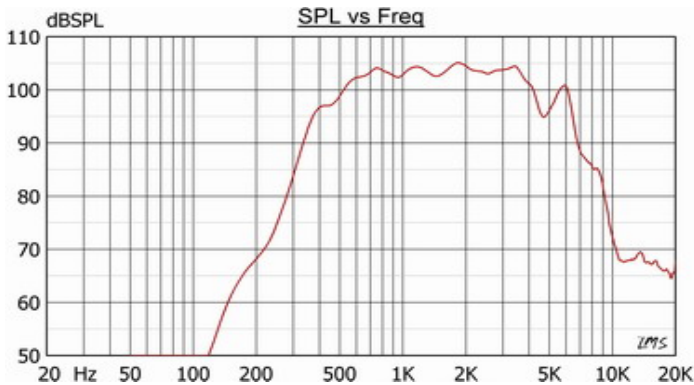


CIRCUIT DIAGRAM



Secondary nominal tapings	
1 : 4	15 W
1 : 3	8,0 W
2 : 4	5,0 W
1 : 2	4,5 W
3 : 4	2,5 W
2 : 3	1,0 W

Sound pressure levels at 1W/1m



Specifications

Material / Color	Aluminum alloy / RAL 7035
Mounting	Bracket
Termination	Inside screw terminals
Weight w/transformer	2,7 kg
IP-rating	55
Max. / min. amb. temp	150°C / -50°C
Rated / max. power	15 W / 20 W
SPL 1W/1m	107 dB
SPL rated power	118 dB
Effective freq. range	350 – 7500 Hz
Dispersion (-6dB) 1kHz / 4kHz	140° / 50°
Options	Impedances, colors, labels

### Installation, Operation and Maintenance Procedures

- H-15S is designed to withstand sound shocks (maximum 175 dB).
- Fasten the bracket to wall with 1-3 screws and ensure to use all washers in the same position that the loudspeaker is delivered with. (To isolate the main body from the bracket).
- Open the lid back 3 screws. Lead cable through cable gland and connect to terminal. Screw lid back into place, 3 screws with a torque of 2 - 3 Nm to assure the IP rating.
- To change the position of the loudspeaker, please adjust the bracket (by loosening / tightening the screws) as required.
- For optimum performance, always use the correct voltage / power and operate within the frequency limits as stated.
- The aluminum surface of the loudspeaker should be regularly treated with paint at the same interval as with other similar outdoor equipment.
- Do not open loudspeaker when energized.
- This loudspeaker is supplied with a 2 year warranty against defective workmanship.

DNH reserves the right to alter specifications without notice

