



DNH

HEAD OFFICE, NORWAY
DNH AS

Phone..... + 47 35 98 56 00
Fax..... + 47 35 98 56 10
E-mail..... dnh@dnh.no
Web-site..... www.dnh.no

ENGLAND
DNH WW Ltd

Phone..... + 44 1908 275 000
Fax..... + 44 1908 275 100
E-mail..... dnh@dnh.co.uk

GERMANY
DNH GmbH

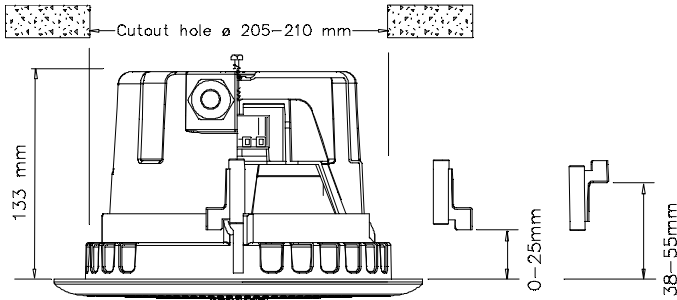
Phone... + 49 040 6569 30-0
Fax..... + 49 040 6569 30-30
E-mail..... dnh@dnh.de

USA
DNH Speakers Inc

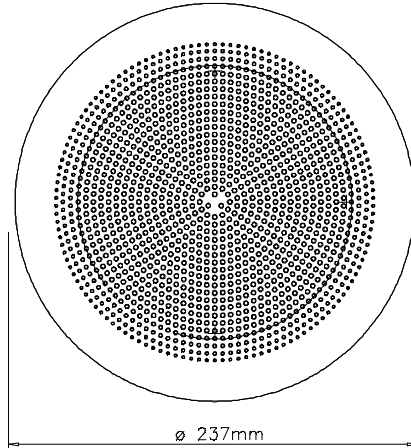
Phone..... + 1 484 494 5790
Fax..... + 1 484 494 5793
E-mail..... dnh@dnhspeakers.com

BPF-660(T)

ISO 9001 CERTIFIED



M20 cable gland and M20 blinding plug

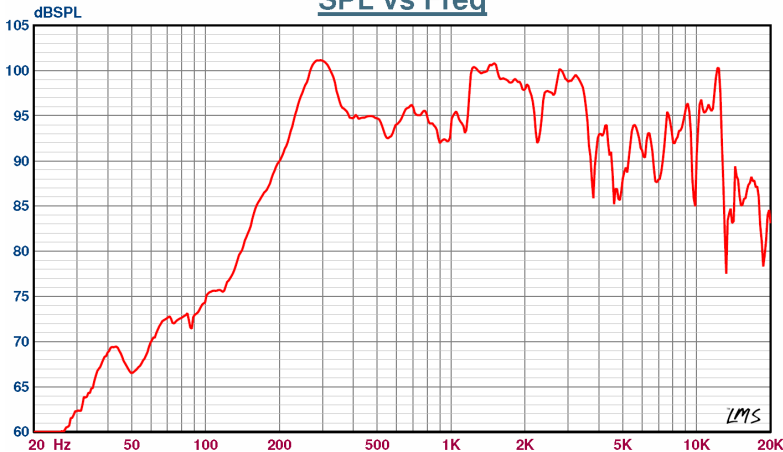


Transformer:
Combined
70/100 Volt line
White : Red 100 V
White : Green 70 V

Secondary nominal
tappings:
C : 6 6,0 W
C : 3 3,0 W
C : 1,5 1,5 W
C : 0,5 0,5 W

Sound pressure levels at different frequencies at 1W/1m

P-6/15B SPL vs Freq



Material / Color PA / ABS / RAL9010
Mounting Hooks
Termination Spring clamps
Weight w/ transformer 1,3 kg
Max / min amb temp 90°C / -20°C
Rated / max power 6 W / 20 W
SPL 1W/1m 93 dB
SPL rated power 100 dB
Effective freq range 170 – 20000 Hz
Options Impedances, colors, labels

Installation, Operation and Maintenance Procedures

- Install the ring into the cut-out hole turning the crews connected to the three hooks, screw clockwise until the ring is fixed to the ceiling.
- Lead cable through cable gland and connect to terminal. Screw box back into place with one screw.
- Turn the grill gently clockwise within the ring until it stops.
- Hooks can be mounted both ways, see drawing at top of the page.
- For optimum performance, always use the correct voltage / power and operate within the frequency limits as stated.
- Take care when loudspeaker is energized (100V or 70V)
- Do not open loudspeaker when energized.



DNH reserves the right to alter specifications without notice

Rev. 09.11.2011