



DNH^{AS}

**N-3770 Kragerø
NORWAY**
Phone: (47) 35 98 56 00
Fax: (47) 35 98 56 10
E-mail: dnh@dnh.no
Web-site: **www.dnh.no**

**DNH WW Ltd.
England**

Phone:.....(44) 1908 275 000
Fax:.....(44) 1908 275 100
E-mail:.....dnh@dnh.co.uk

**DNH GmbH
Germany**

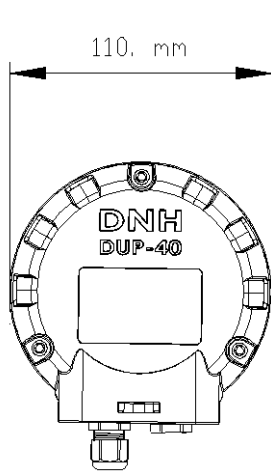
Phone:.....(49) 040 6569 30-0
Fax:.....(49) 040 6569 30-30
E-mail:.....dnh@dnh.de

**DNH
Speakers Inc.
USA**

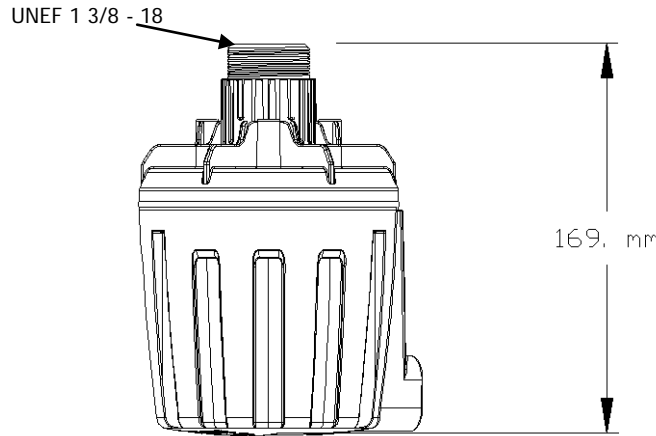
Phone:.....(1) 484 494 5790
Fax:.....(1) 484 494 5793
E-mail:.....dnh@dnhspeakers.com

ISO 9001 CERTIFIED

DUP-40(T)



2X M20
Cable gland and plug diameter:
8 - 13 mm



70/100 volt Combined
Transformer:

Primary connections:

6 : 8 70 Volt line
6 : 9 100 Volt line

Secondary nominal
tappings:

1 : 4 40,0 W
1 : 3 23,0 W
2 : 4 15,0 W
1 : 2 12,0 W
3 : 4 6,0 W
2 : 3 3,0 W

6 = White, 8= Green,
9 = Red

SPL at different frequencies at 1W/1m Sine Wave



(This curve is tested with Tunnel-500 horn.)

Material / ColorPlastic V0 Halogen free / Black
Mounting..... Threaded UNEF 1 3/8 - 18
Termination Inside ceramic screw terminals
Weight driver unit1,2 kg
IP-rating..... 67
Max / min amb temp 50 °C / -50 °C
Rated / max power 40 W / 60 W
SPL 1W/1m with horn..... 114 dB
SPL rated power with horn..... 127 dB
Effective freq range with horn350 – 8000 Hz
Dispersion (-6dB) 1kHz / 4kHz.....40° / 35°
Options Impedances, colors, labels

Installation, Operation and Maintenance Procedures

- Driver unit uses UNEF 1 3/8 -18 thread.
- When using DUP-40 driver use enclosed gasket.
- Fasten lid with a torque of 2 – 3 Nm.
- For optimum performance, always use the correct voltage / power and operate within the frequency limits as stated.
- This unit is supplied with a 2 year warranty against defective materials and workmanship.