



DNH

HEAD OFFICE, NORWAY
DNH AS

Phone..... + 47 35 98 56 00
Fax..... + 47 35 98 56 10
E-mail..... dnh@dnh.no
Web-Site..... www.dnh.no

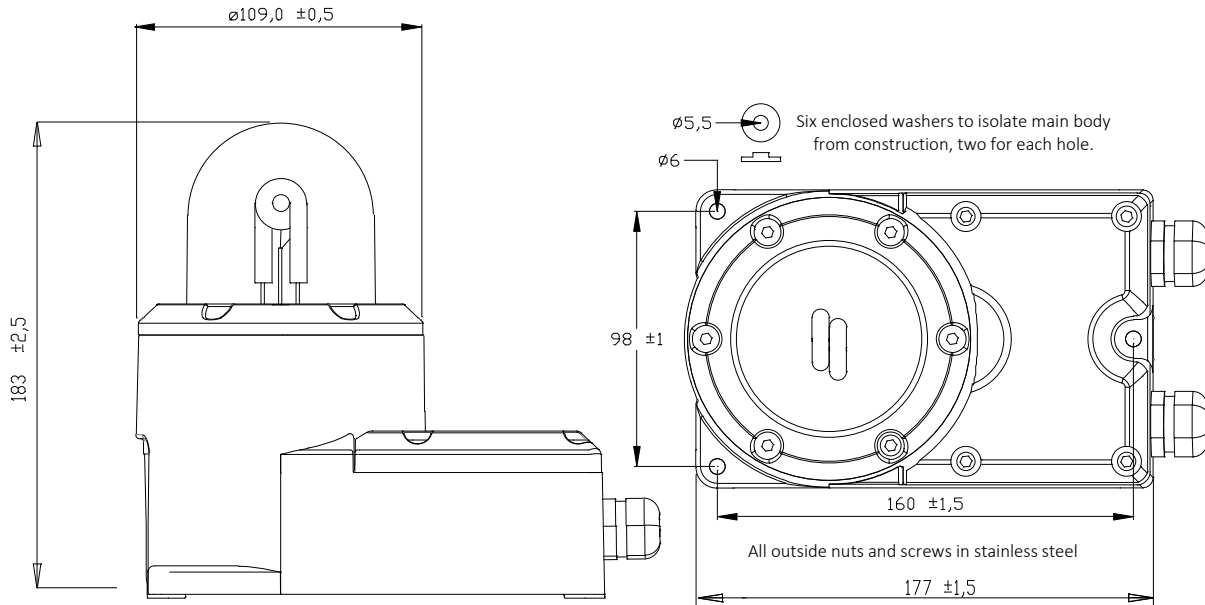
ENGLAND
DNH WW Ltd
Phone..... + 44 1908 275 000
Fax..... + 44 1908 275 100
E-mail..... dnh@dnh.co.uk

GERMANY
DNH GmbH
Phone... + 49 040 6569 30-0
Fax..... + 49 040 6569 30-30
E-mail..... dnh@dnh.de

BS-21 ExeN

USA
DNH Speakers Inc
Phone..... + 1 484 494 5790
Fax..... + 1 484 494 5793
E-mail..... dnh@dnhspeakers.com

ISO 9001 CERTIFIED



Presafe 15 ATEX 6138X

IECEX PRE 15.0008X

Specifications

Material / Color	Aluminum alloy / RAL 7035		Lamp type	Xenon	
Mounting	Screws		Cable entries	M20	
Termination	Push-In terminal		Lens colors	Clear, Red, Yellow, Green, Blue	
IP-rating	66		Weight	2,4 kg	
Max. / min. amb. temp	58°C / -50°C (T3)		Flash rate	1 Hz	
Rated energy	21 Joule		Dome	Borisilicate glass	
Max voltage DC	48V		Max voltage AC	230V (50-60Hz)	
Rated current 24V Dc	Average	Max	Rated current 115V Ac	Average	Max
	0,625A	2,9A		0,391A	0,7A
Rated current 48V Dc	Average	Max	Rated current 230V Ac	Average	Max
	0,375A	1,9A		0,208A	0,5A
Luminous intensity	Between 300 and 400 candelas				

Installation, Operation and Maintenance Procedures

- Secure the BS-21 ExeN Flashlight to ceiling or wall with three screws, use the enclosed washers to isolate the beacon from the construction, two washers must be used for each hole.
- Termination is accessed in e-chamber, by removing aluminum lid fastened with four screws.
- Be sure that the Ex-product is connected to the correct voltage, and current stated on labels on the model.
- The lid screws for the termination chamber should be fastened with a torque of 2 Nm to assure the IP-rating.
- Use only correctly certified cable glands/bling plugs. Reflecting the same IP & temp. spec. as stated on certified label.
- Outside earthing: Use enclosed pan/washer. Min 4mm² wire.
- Inside earthing: Use marked earth screw. Min.cross section equal to one of the wire on incoming cable.
- Delivered with 2 x M20 plastic Ex blanking plugs.
- WARNING:** Do not open this Ex-product when it is energized.
- This Ex-product shall only be used in an area of low risk of mechanical danger.
- This product is supplied with a two years warranty against defective materials and workmanship.

DNH reserves the right to alter specifications without notice

