



DNH

HEAD OFFICE, NORWAY
DNH AS

Phone..... + 47 35 98 56 00
Fax..... + 47 35 98 56 10
E-mail..... dnh@dnh.no
Web-Site..... www.dnh.no

ENGLAND
DNH WW Ltd
Phone..... + 44 1908 275 000
Fax..... + 44 1908 275 100
E-mail..... dnh@dnh.co.uk

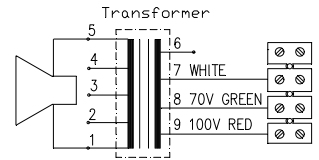
GERMANY
DNH GmbH
Phone... + 49 040 6569 30-0
Fax..... + 49 040 6569 30-30
E-mail..... dnh@dnh.de

GMD-60(T)

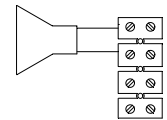
USA
DNH Speakers Inc
Phone..... + 1 484 494 5790
Fax..... + 1 484 494 5793
E-mail..... dnh@dnhspeakers.com

ISO 9001 CERTIFIED

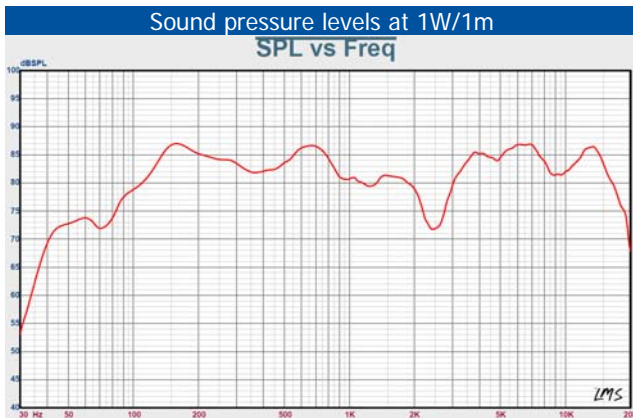
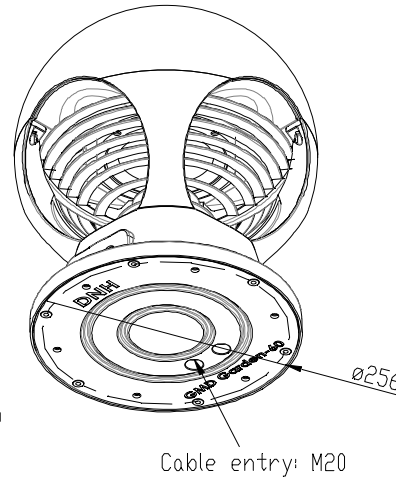
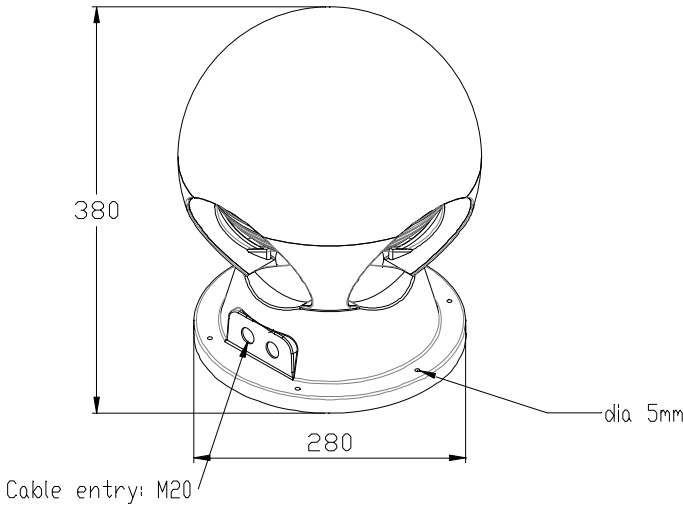
CIRCUIT DIAGRAM



Low Impedance



70/100 Volt combined transformer	
Primary connections	
White : Green	70 V
White : Red	100 V
Secondary nominal tapings	
1 : 5	60 W
1 : 4	30 W
1 : 3	15 W
1 : 2	7,5 W



Specifications	
Material / Color	ABS-PC / V0 /RAL7035
Mounting	Six screws Ø 4,8mm
Termination	Screw terminal
Weight w/transformer	5 kg
IP-rating	IP-66
Max. / min. amb. temp	90 C / -40 C
Max. power	60 W
SPL 1W/1m	88
SPL rated power	104
Effective freq. range	100 - 20000 Hz
Options	Impedances, colors, labels

Installation, Operation and Maintenance Procedures

- Open the lid by six screws.
- Lead cable through cable inlet, connect to terminal and select required tapping on transformer.
- Screw the lid back by six screws.
- Screw the loudspeaker to the floor, wall or ceiling with six screws.
- For optimum performance, always use the correct voltage / power and operate within the frequency limits as stated.
- Do not open loudspeaker when energized.
- This loudspeaker is supplied with two years warranty against defective workmanship.

DNH reserves the right to alter specifications without notice

