



# DNH

HEAD OFFICE, NORWAY  
DNH AS

Phone..... + 47 35 98 56 00  
Fax..... + 47 35 98 56 10  
E-mail..... dnh@dnh.no  
Web-Site..... www.dnh.no

ENGLAND

DNH WW Ltd

Phone..... + 44 1908 275 000  
Fax..... + 44 1908 275 100  
E-mail..... dnh@dnh.co.uk

GERMANY

DNH GmbH

Phone... + 49 040 6569 30-0  
Fax..... + 49 040 6569 30-30  
E-mail..... dnh@dnh.de

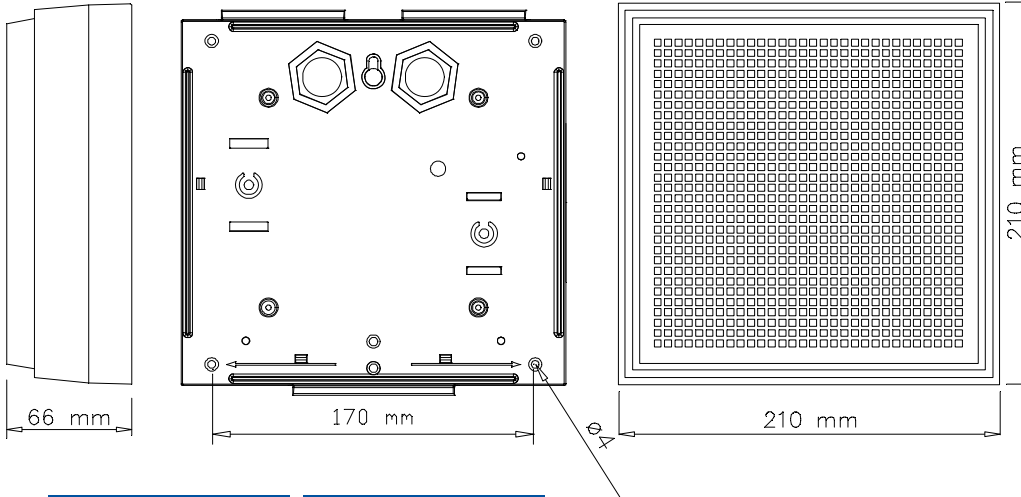
USA

DNH Speakers Inc

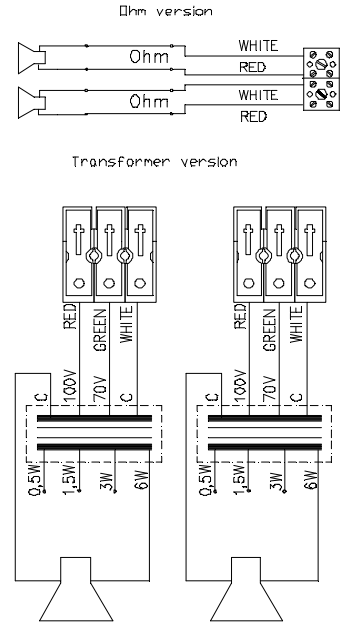
Phone..... + 1 484 494 5790  
Fax..... + 1 484 494 5793  
E-mail..... dnh@dnhspeakers.com

## B-406(T) A+B

ISO 9001 CERTIFIED



### CIRCUIT DIAGRAM



70/100 Volt combined transformer  
Primary connections

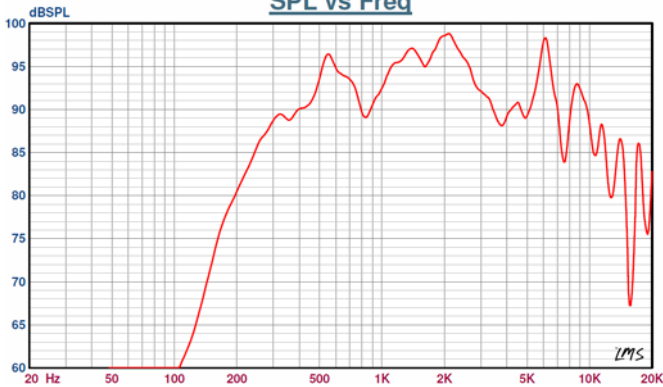
White : Green 70 V  
White : Red 100 V

Secondary nominal tapings

C : 6	6,0 W
C : 3	3,0 W
C : 1,5	1,5 W
C : 0,5	0,5 W

### Sound pressure levels at 1W/1m A + B system P-2,5/3B

#### SPL vs Freq



### Specifications

Material / Color	ABS / Light grey
Mounting	Screws and keyhole
Termination	Spring clamps
Weight w/transformer	1,25 kg
IP-rating	
Max. / min. amb. temp	90°C / -20°C
Rated / max. power	6 W / 2x6 W
SPL 1W/1m	93 dB
SPL rated power	100 dB
Effective freq. range	240 – 15000 Hz
Dispersion (-6dB) 1kHz / 4kHz	120° / 76°
Directivity factor, Q 1kHz	3
Options	Impedances, colors, labels

### Installation, Operation and Maintenance Procedures

- Two separate loudspeakers, two transformers and two terminals (A + B system).
- A + B system should be connected the same way so that systems are in phase. Remove backplate by bending back two sides of cabinet.
- Screw the backplate to wall or ceiling.
- Lead cable through a cable entry, connect to terminal (70V or 100V) and select required tapping on the transformer.
- Clip on the cabinet to the backplate.
- For optimum performance, always use the correct voltage / power and operate within the frequency limits as stated.
- Do not open loudspeaker when energized.
- This loudspeaker is supplied with a 2 year warranty against defective workmanship.

DNH reserves the right to alter specifications without notice

