



# DNH<sup>AS</sup>

**N-3770 Kragerø  
NORWAY**  
Phone: ..... (47) 35 98 56 00  
Fax: ..... (47) 35 98 56 10  
E-mail: ..... dnh@dnh.no  
Web-site: ..... [www.dnh.no](http://www.dnh.no)

ISO 9001 CERTIFIED

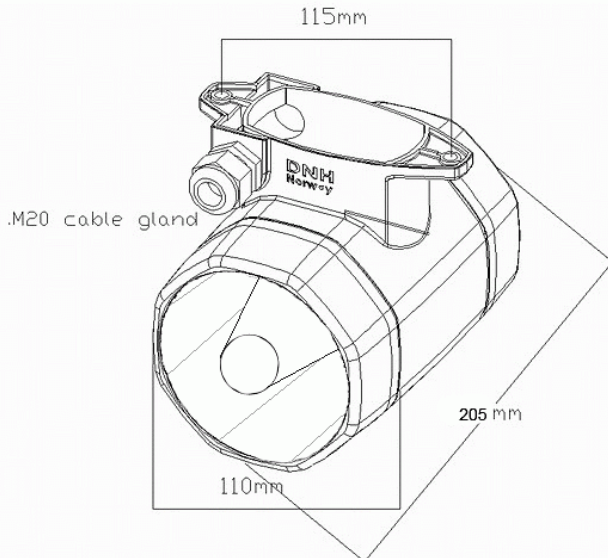
**DNH WW Ltd.  
England**  
Phone:.....(44) 1908 275 000  
Fax:.....(44) 1908 275 100  
E-mail:.....dnh@dnh.co.uk

**DNH  
France**  
Phone:.....(33) 1 5380 0276  
Fax:.....(33) 1 4588 1594  
E-mail:.....etienne@dnh.no

**DNH GmbH  
Germany**  
Phone:.....(49) 040 6569 30-0  
Fax:.....(49) 040 6569 30-30  
E-mail:.....dnh@dnh.de

**DNH  
Speakers Inc.  
USA**  
Phone:.....(1) 484 494 5790  
Fax:.....(1) 484 494 5793  
E-mail:.....dnh@dnhspeakers.com

## BIVEH-6(T)

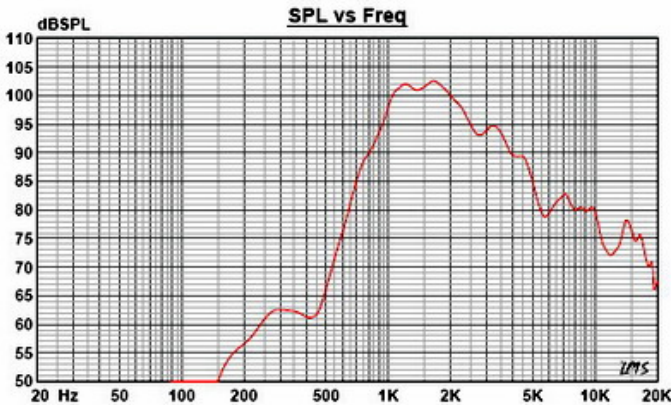


Transformer:  
Combined  
50/100Volt line  
White(5) : Red(8) 100 V  
Remove red wire from 8 to  
6. 50 V

Secondary nominal  
tappings:  
1 : 4 6,0 W  
1 : 3 3,0 W  
2 : 4 2,0 W  
1 : 2 1,5 W  
3 : 4 0,9 W  
2 : 3 0,5 W

Acc. British Standard 5839

1W/1m Sine wave smooth 1/3 octave



Material / Color ..... ABS / RAL 7035  
Mounting ..... Foot bracket  
Termination ..... Internal screw terminals  
Weight ..... 1,1 kg  
IP-rating ..... 42  
Max. / min. amb. temp ..... 90 °C / -40 °C  
Rated / max. power ..... 6 W / 10 W  
SPL 1W/1m ..... 103 dB  
SPL rated power ..... 109 dB  
Effective freq. range ..... 650 – 5000 Hz  
Dispersion (-6dB) 1kHz / 4kHz ..... ° / °  
Directivity factor, Q .....  
Options ..... Impedance, color, label

### Installation, Operation and Maintenance Procedures

- When mounting the loudspeaker please ensure that it is re-assembled in the same manner in which it was received. Fasten footbracket. Mount cable through cable gland and connect cable to the fused ceramic terminal.
- To open the loudspeaker turn the front gently counter clockwise and pull. To close the loudspeaker align the two marks on the front and rear parts and turn the front gently clockwise.
- For optimum performance, always use the correct voltage / power and operate within the frequency limits as stated.
- Do not open loudspeaker when energized.
- This loudspeaker is supplied with a 2 year warranty against defective workmanship.

