



# DNH

HEAD OFFICE, NORWAY  
DNH AS

Phone..... + 47 35 98 56 00  
Fax..... + 47 35 98 56 10  
E-mail..... dnh@dnh.no  
Web-site..... www.dnh.no

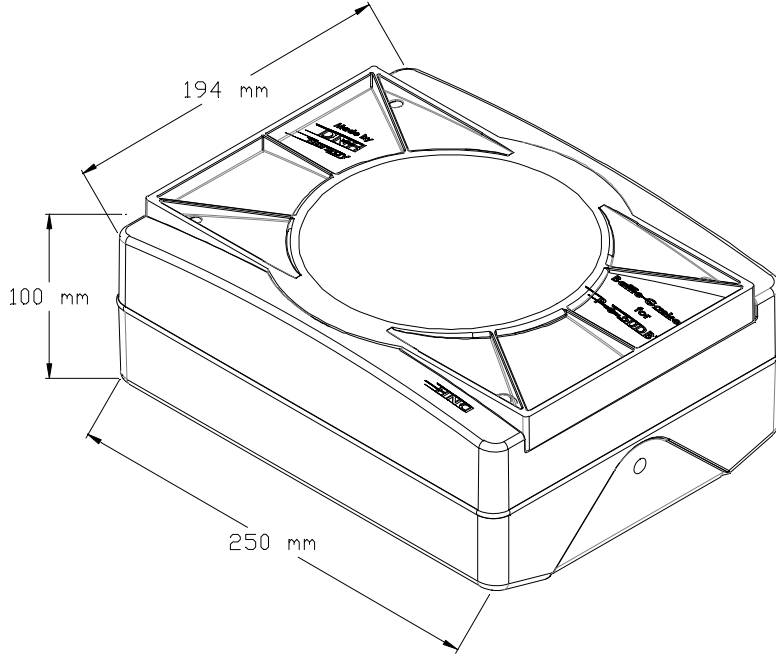
ENGLAND  
DNH WW Ltd  
Phone..... + 44 1908 275 000  
Fax..... + 44 1908 275 100  
E-mail..... dnh@dnh.co.uk

GERMANY  
DNH GmbH  
Phone... + 49 040 6569 30-0  
Fax..... + 49 040 6569 30-30  
E-mail..... dnh@dnh.de

USA  
DNH Speakers Inc  
Phone..... + 1 484 494 5790  
Fax..... + 1 484 494 5793  
E-mail..... dnh@dnhspeakers.com

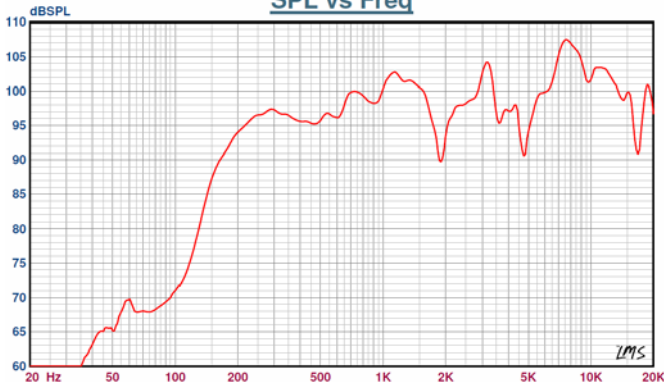
## P6-50DBT

ISO 9001 CERTIFIED



100V	
Brown : Violet	
Secondary nominal tapings	
Red : Blue	50,0 W
Red : Green	27,0 W
Yellow : Blue	18,0 W
Red : Yellow	15,0 W
Green : Blue	7,0 W
Yellow : Green	3,5 W

Sound pressure levels at 1W/1m  
**SPL vs Freq**



Specifications

Material / Color	Plastic /black
Mounting	Bracket
Termination	Cable 0,5m
Weight w/transformer	2,3 Kg
IP-rating	
Max. / min. amb. temp	90°C / -25°C
Rated / max. power	50 W / 70 W
SPL 1W/1m	98 dB
SPL rated power	115 dB
Effective freq. range	150 – 20000 Hz
Dispersion (-6dB) 1kHz / 4kHz	
Directivity factor, Q	
Options	Impedances, colors, labels

### Installation, Operation and Maintenance Procedures

- Unscrew the lid, lead cable through cable gland and connect to terminal, Brown : Violet (100 volt).
- If necessary change tapping using the black and white wires accordingly to Secondary nominal tapings table.
- Tighten cable gland and screw termination chamber lid.
- For optimum performance, always use the correct voltage / power and operate within the frequency limits as stated.
- Do not open loudspeaker when energized.
- This loudspeaker is supplied with a two years warranty against defective workmanship.



DNH reserves the right to alter specifications without notice