



DNH

HEAD OFFICE, NORWAY
DNH AS

Phone..... + 47 35 98 56 00
Fax..... + 47 35 98 56 10
E-mail..... dnh@dnh.no
Web-Site..... www.dnh.no

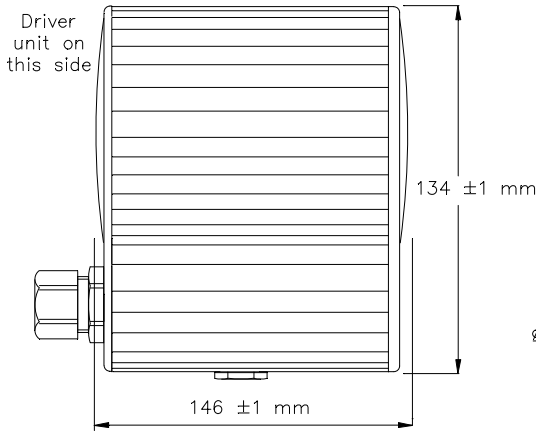
ENGLAND
DNH WW Ltd
Phone..... + 44 1908 275 000
Fax..... + 44 1908 275 100
E-mail..... dnh@dnh.co.uk

GERMANY
DNH GmbH
Phone... + 49 040 6569 30-0
Fax..... + 49 040 6569 30-30
E-mail..... dnh@dnh.de

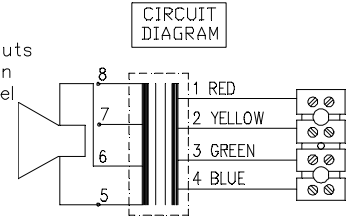
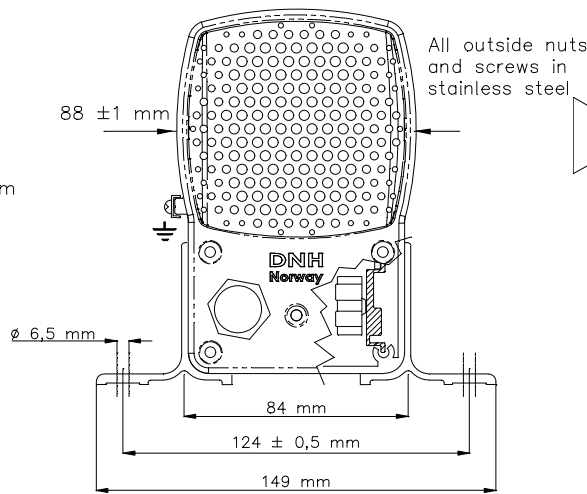
CAREEX-36(T)

USA
DNH Speakers Inc
Phone..... + 1 484 494 5790
Fax..... + 1 484 494 5793
E-mail..... dnh@dnhspeakers.com

ISO 9001 CERTIFIED



Standard model delivered with four M20 Ex approved plastic blinding plugs

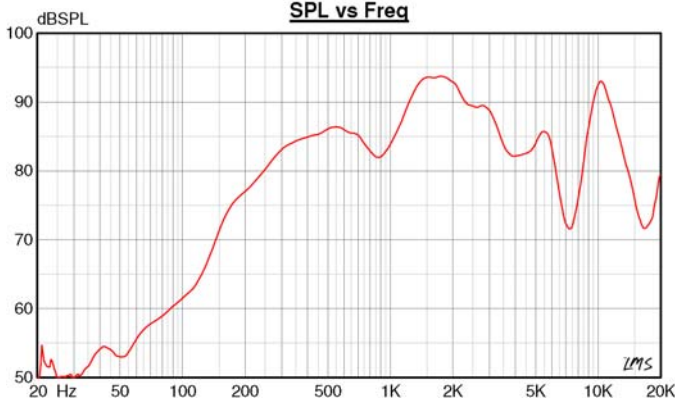


100V line Primary nominal tapings	
1 : 2	6,0 W
2 : 3	3,0 W
3 : 4	1,5 W
1 : 3	1,0 W
2 : 4	0,6 W
1 : 4	0,4 W

Certified by/ Certification code / Number: NEMKO / EEx de IIB+H2 T6 Gb / Nemko10ATEX1058X
IECEx NEM 11.0031X



Sound pressure levels at 1W/1m



Specifications

Material / Color	Aluminum / anodized
Mounting	Foot Bracket
Termination	e-chamber, screw terminals
Weight w/transformer	2,1 kg
IP-rating	67
Max. / min. amb. temp	40°C / -20°C
Rated / max. power	6 W / 6 W
SPL 1W/1m	84 dB
SPL rated power	91 dB
Effective freq. range	180 – 15000 Hz
Dispersion (-6dB) 1kHz / 4kHz	251° / 84°
Directivity factor, Q 1kHz	1,4
Options	Impedances, colors, labels

Installation, Operation and Maintenance Procedures

- Fasten loudspeaker to wall or ceiling with four screws by use of the extruded aluminum brackets on each side.
- Enter the e-chamber by loosening the screws on the lid and terminate the cable in the screw terminal.
- Fasten lid screws with a torque of 1,5 Nm to assure the IP rating.
- Ex-loudspeakers must be earthed correctly using the specially marked screws.
- For optimum performance, always use the correct voltage / power and operate within the frequency limits as stated.
- Use only certified/specified cable glands and blinding plugs.
- Standard model delivered with four M20 Ex approved plastic blinding plugs.
- Do not open loudspeaker when energized.
- This loudspeaker is supplied with a two years warranty against defective workmanship.

DNH reserves the right to alter specifications without notice

