



DNH

HEAD OFFICE, NORWAY
DNH AS

Phone..... + 47 35 98 56 00
Fax..... + 47 35 98 56 10
E-mail..... dnh@dnh.no
Web-Site..... www.dnh.no

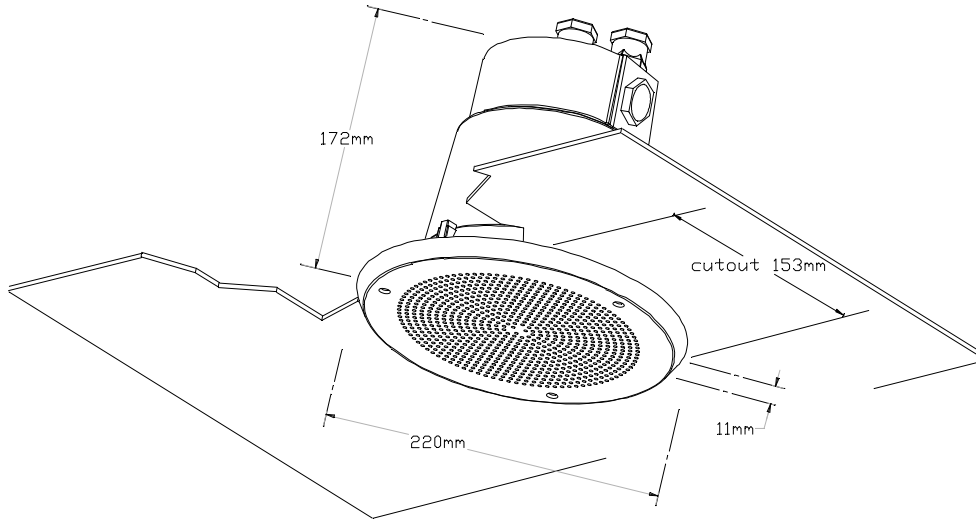
ENGLAND
DNH WW Ltd
Phone..... + 44 1908 275 000
Fax..... + 44 1908 275 100
E-mail..... dnh@dnh.co.uk

GERMANY
DNH GmbH
Phone... + 49 040 6569 30-0
Fax..... + 49 040 6569 30-30
E-mail..... dnh@dnh.de

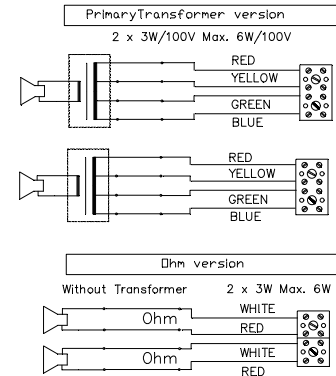
USA
DNH Speakers Inc
Phone..... + 1 484 494 5790
Fax..... + 1 484 494 5793
E-mail..... dnh@dnhspeakers.com

BA-56EExeN(T)x2

ISO 9001 CERTIFIED



Standard model delivered with four M20 Ex approved plastic blinding plugs

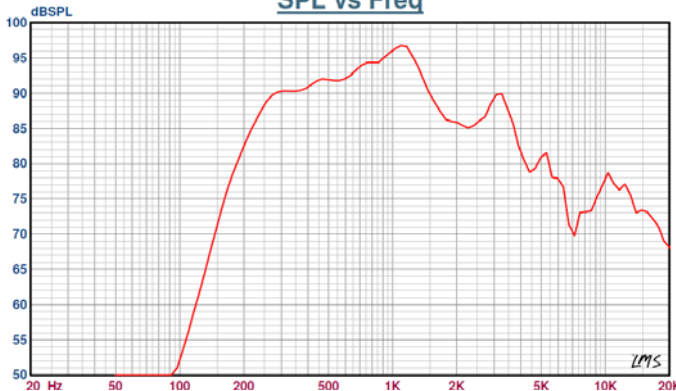


100 V transformer Primary nominal tapings	
Red : Yellow	3,0 W
Red : Green	1,5 W
Red : Blue	0,75 W

Nemko 10ATEX1050:  II2G Ex de IIB+H2 T6 Gb -20°C ≤ Ta +50°C

SPL at 1W/1m Sine wave 2 x 2,25" element

SPL vs Freq



Specifications

Material / Color	Aluminum / RAL 9010
Mounting	3 screws
Termination	e-chamber, screw terminals
Weight w/transformer	3,1
IP-rating	54
Max. / min. amb. temp	50°C / -20°C
Rated / max. power	3 W / 2x3 W
SPL 1W/1m	83 dB
SPL rated power	87 dB
Effective freq. range	190 – 15000 Hz
Dispersion (-6dB) 1kHz / 4kHz	113° / 40°
Directivity factor, Q 1kHz	3,2
Options	Impedance, colors, labels

Installation, Operation and Maintenance Procedures

- Two separate loudspeakers, two transformers and two terminals in one Ex housing. (A and B system)
- Connect the speakers to the same phase.
- Enter the e-chamber by loosening the screws on the lid and terminate cable in the screw terminal.
- If earthing, use the specially marked screws.
- Fasten lid screws with a torque of 2-3 Nm to assure the IP rating.
- Secure the loudspeaker to ceiling or wall by three screws and then mount the grill to the speaker with 3 screws (enclosed).
- For optimum performance, always use the correct voltage / power and operate within the frequency limits as stated.
- Use only certified / specified cable glands and blanking plugs.
- Standard model delivered with four M20 Ex approved plastic blinding plugs.
- Do not open the loudspeaker when energized.
- This loudspeaker is supplied with a two years warranty against defective workmanship.

DNH reserves the right to alter specifications without notice

