



# DNH

HEAD OFFICE, NORWAY  
DNH AS

Phone..... + 47 35 98 56 00  
Fax..... + 47 35 98 56 10  
E-mail..... dnh@dnh.no  
Web-Site..... www.dnh.no

ENGLAND

DNH WW Ltd

Phone..... + 44 1908 275 000  
Fax..... + 44 1908 275 100  
E-mail..... dnh@dnh.co.uk

GERMANY

DNH GmbH

Phone... + 49 040 6569 30-0  
Fax..... + 49 040 6569 30-30  
E-mail..... dnh@dnh.de

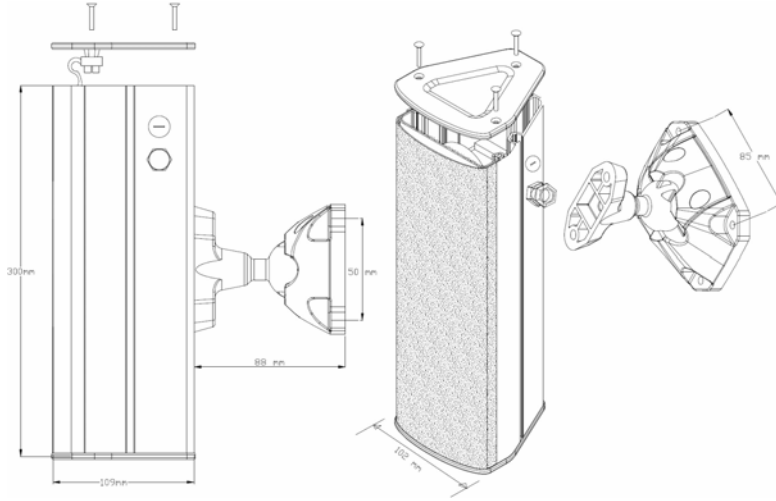
USA


DNH Speakers Inc

Phone..... + 1 484 494 5790  
Fax..... + 1 484 494 5793  
E-mail..... dnh@dnhspeakers.com

## CAS-15-54 (T)

ISO 9001 CERTIFIED



Tested acc. To EN54-24  
Type: B   
Manufactured by DNH A/S  
Kragere, Norway  
14 1438-CPR-0371

100 Volt transformer  
T-48/S/8/1000(490)CE  
Alt. 70V/50V

Secondary nominal tapings		
Common : 1	15 W	735 Ω
Common : 2	7,5 W	1330Ω
Common : 3	4 W	2500Ω
Common : 4	2 W	5800Ω

Sound pressure levels at 1W/1m

SPL vs Freq



Specifications acc. testing CNBOP / DNH

Material / Color	Aluminum / RAL 9006
Mounting	Aluminum Bracket
Termination	Ceramic terminal
Weight w/transformer	1,9 kg
IP-rating	33 / 55
Max. / min. amb. temp	70°C to -25°C / 90°C to -40°C
Rated / max. power	15 W
Sensitivity 1W/4m	75 dB
SPL 15W/4m	86 dB
Effective freq. range	100 – 20000 Hz
Measurement environment	Free-field

Sensitivity 100Hz-10KHz 1/3 Oct. Pink noise 1W/4 Meters

100Hz: 37 dB	125Hz: 45 dB	160Hz: 54 dB
200Hz: 59 dB	250Hz: 67 dB	315Hz: 67 dB
400Hz: 62 dB	500Hz: 62 dB	630Hz: 62 dB
800Hz: 62 dB	1KHz: 63 dB	1250Hz: 64 dB
1600Hz: 64 dB	2KHz: 66 dB	2500Hz: 67 dB
3150Hz: 67 dB	4KHz: 64 dB	5KHz: 64 dB
6300Hz: 63 dB	8KHz: 63 dB	10KHz: 65 dB

Horizontal coverage angles (HCA) / Vertical coverage angles (VCA) (-6dB)

1 Oct. Pink noise	500Hz	360°	360°
1 Oct. Pink noise	1KHz	75°	150°
1 Oct. Pink noise	2KHz	40°	130°
1 Oct. Pink noise	4KHz	22°	90°

CAS-15-54 (T) has been tested in 100 hours max power (15W). The model does not deviate more than  $\pm 3$  dB from the original test value. The frequency response curve and impedance comply with the original one. All SPL tests are performed in an anechoic chamber ( $<70m^3$ ).

### Installation, Operation and Maintenance Procedures

- Unscrew lid and connect to terminal.
- Select power on transformer.
- Fasten lid with 1,5 Nm to assure IP rating.
- Screw bracket onto wanted position.
- For optimum performance, always use the correct voltage / power and operate within the frequency limits as stated.
- Do not open loudspeaker when energized.
- This loudspeaker is supplied with a two years warranty against defective workmanship.

