



# DNH

HEAD OFFICE, NORWAY  
DNH AS

Phone..... + 47 35 98 56 00  
Fax..... + 47 35 98 56 10  
E-mail..... dnh@dnh.no  
Web-site..... www.dnh.no

ENGLAND

DNH WW Ltd

Phone..... + 44 1908 275 000  
Fax..... + 44 1908 275 100  
E-mail..... dnh@dnh.co.uk

GERMANY

DNH GmbH

Phone... + 49 040 6569 30-0  
Fax..... + 49 040 6569 30-30  
E-mail..... dnh@dnh.de

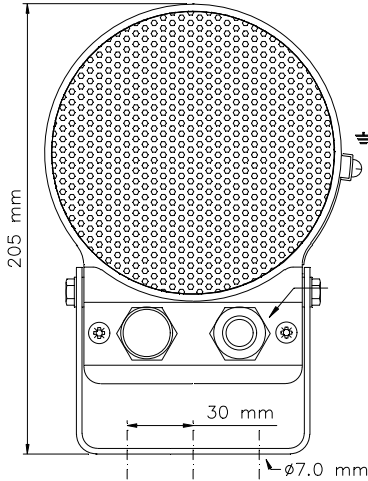
USA

DNH Speakers Inc

Phone..... + 1 484 494 5790  
Fax..... + 1 484 494 5793  
E-mail..... dnh@dnhspeakers.com

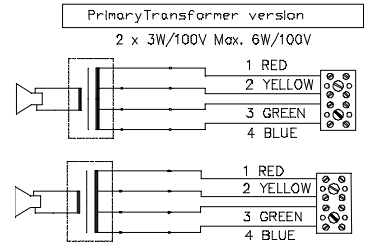
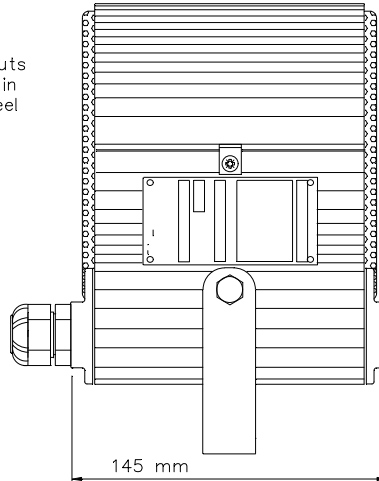
## CAPEEX-6(T)x2

ISO 9001 CERTIFIED



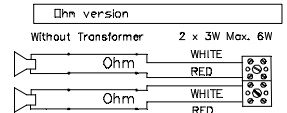
Standard model delivered with four M20 Ex approved plastic blinding plugs

All outside nuts and screws in stainless steel



100V transformer  
Primary nominal tapings

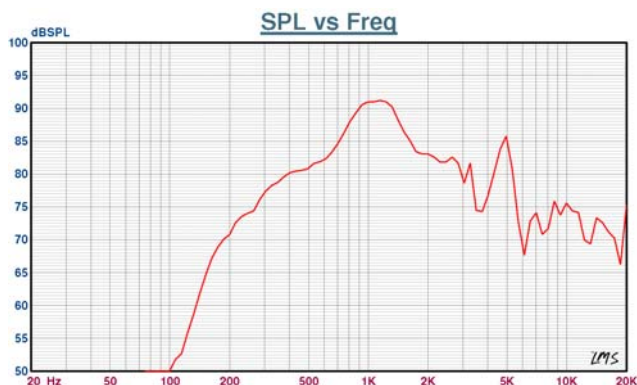
|       |        |
|-------|--------|
| 1 : 2 | 3,0 W  |
| 1 : 3 | 1,5 W  |
| 1 : 4 | 0,75 W |



Certified by/ Certification code / Number: NEMKO / EEx de IIB+H2 T6 Gb / Nemko 10 ATEX 1054  
IECEX NEM 11.0016



### Sound pressure levels at 1W/1m



### Specifications

|                               |                            |
|-------------------------------|----------------------------|
| Material / Color              | Aluminum / anodized        |
| Mounting                      | Foot bracket               |
| Termination                   | e-chamber, screw terminals |
| Weight w/transformer          | 3,8 kg                     |
| IP-rating                     | 67                         |
| Max. / min. amb. temp         | 40°C / -20°C               |
| Rated / max. power            | 3 W / 6 W                  |
| SPL 1W/1m                     | 81 dB                      |
| SPL rated power               | 85 dB                      |
| Effective freq. range         | 190 – 20000 Hz             |
| Dispersion (-6dB) 1kHz / 4kHz |                            |
| Directivity factor, Q         |                            |
| Options                       | Impedances, colors, labels |

### Installation, Operation and Maintenance Procedures

- Two separate loudspeakers, two transformers and two terminals in one Ex housing (A & B system).
- Enter the e-chamber by loosening the screws on the lid and terminate the cables in the screw terminals.
- Connect the speakers to the same phase.
- Fasten loudspeaker to wall or ceiling with three screws.
- Fasten lid screws with a torque of 2 - 3 Nm to assure the IP rating.
- For optimum performance, always use the correct voltage / power and operate within the frequency limits as stated.
- Use only certified/specified cable glands and blanking plugs.
- Standard model delivered with four M20 Ex approved plastic blinding plugs.
- Do not open loudspeaker when energized.
- Ex-loudspeakers must be earthed correctly using the specially marked screws.
- This loudspeaker is supplied with a two years warranty against defective materials and workmanship.

DNH reserves the right to alter specifications without notice

